

## Manual Two Wheel Wheelie Bin Tippler Specification Sheet

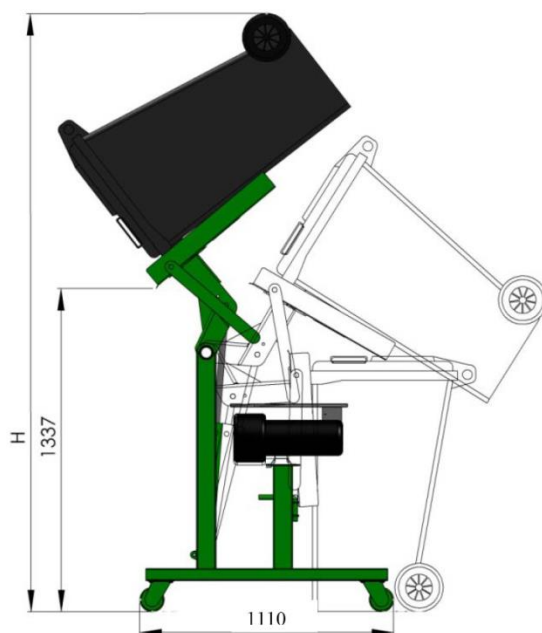
### Wheelie Bins Can Become Too Heavy to Safely Empty Manually

#### Features

- Standalone tippler to empty 2 wheel wheelie bins into skips or 4 wheeled bins.
- Empties containers over a maximum wall height of 138 cm.
- Patented gravity auto lock comb bar anchor system
- Two braked and two un-braked wheels for easy manoeuvrability.
- Fits standard two wheel wheelie bins from 80 ltr to 360 ltr.
- Manual lift in 12 strokes and return in 8 seconds.
- Indoor or outdoor use.
- CE Approved.

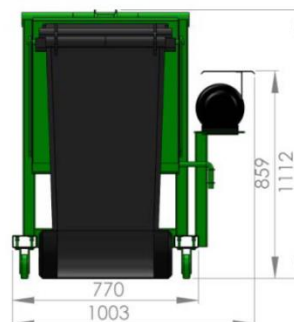


#### Specifications



#### Required Indoor Operating Height (H)

- 260 cm (360 ltr)
- 248 cm (240 ltr)
- 235 cm (140 ltr)
- 228 cm (120/80 ltr)



Rated maximum load 105 kg