

Powered Wheelie Bin Tippler T2 Specification Sheet For Two and Four Wheel Bins

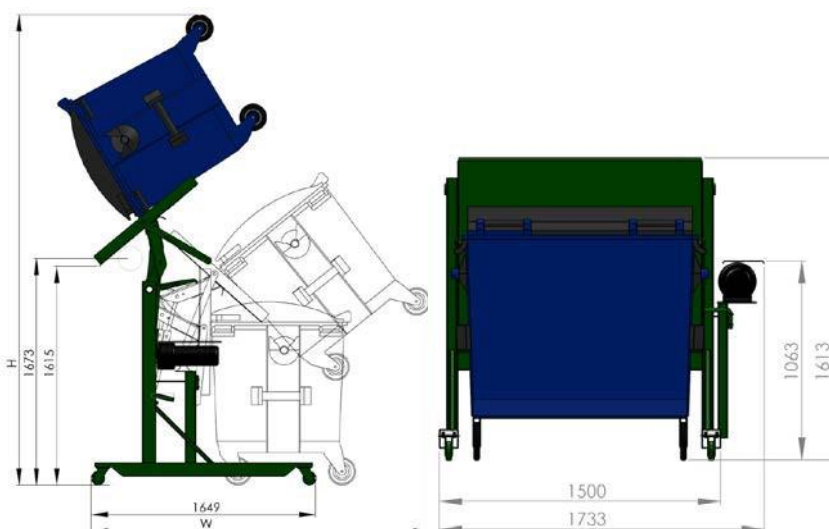
Wheelie Bins Can Become Too Heavy to Safely Empty Manually

Features

- Standalone tippler to empty 2 and 4 wheel wheelie bins into skips or 4 wheeled bins.
- CE Approved for use without expensive cage and interlock system.
- Empties containers over a maximum wall height of 160 cm.
- Two braked and two un-braked wheels for easy maneuverability. Bolt down option.
- Fits standard two and 4 wheel wheelie bins from 140ltr to 1100ltr except 770ltr.
- High Speed lift in 14 seconds and return in 9 seconds.
- Self-contained hydraulic powered.
- Indoor or outdoor use.
- Single phase normal plug electricity supply. Optional 3 phase, rechargeable, 120v.



Specifications



- Required Indoor Operating Height (H)
 - 348 cm – 1100 ltr
 - 311 cm – 770 ltr
 - 304 cm – 660 ltr
 - 306 cm - 360 ltr
 - 295 cm - 240 ltr
 - 281 cm - 140 ltr
- Width (W)
 - 249 cm – 1100 ltr
 - 221 cm – 660 ltr
 - 209 cm – 340 ltr
 - 199 cm – 240 ltr
- Unit weight 200 kg
- Rated maximum load 200 kg
- Maximum Container Wall Height 160 cm