

Powered Wheelie Bin Tippler T3 Specification Sheet

Heavy Duty for Two and Four Wheel Bins

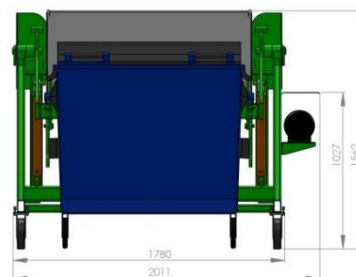
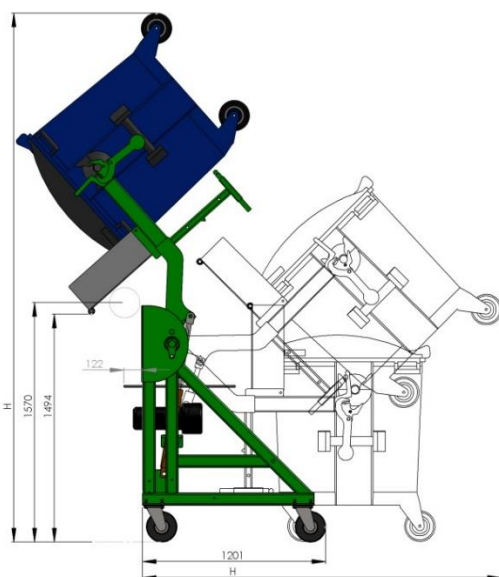
Wheelie Bins Can Become Too Heavy To Safely Empty Manually

Features

- Heavy duty standalone tippler to empty 2 and 4 wheel wheelie bins into skips or 4 wheeled bins.
- Empties containers over a maximum wall height of 150 cm.
- Bolted down for extra sturdiness when emptying heavy duty bins.
- Fits standard two and 4 wheel wheelie bins from 80 ltr to 1280 ltr.
- High Speed lift in 14 seconds and return in 9 seconds.
- Self-contained hydraulic powered.
- Indoor or outdoor use.
- CE Approved for use without cage.
- Options: - 240v versions; lid retainers. (Default 400V, 16A)
- Optional bolt down plates.
- Standard rated load of 400kg.



Specifications



Required Indoor Operating Height (H)

- 347 cm – 1100 ltr
- 332 cm – 770 ltr
- 322 cm – 660 ltr

Width (W)

- 236 cm – 1100 ltr
- 212 cm – 660 ltr

Unit Weight: 425kg

Rated maximum load: 400 kg

Maximum Container Wall Height 150 cm