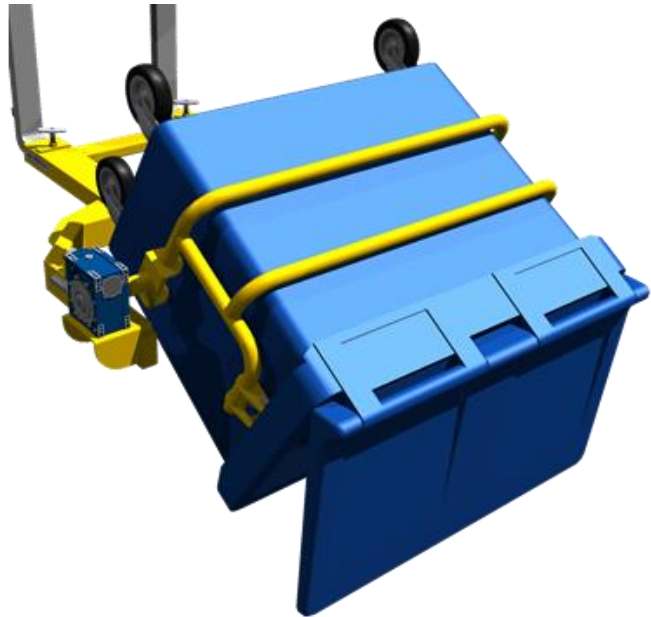


1100 ltr Compact Wheelie Bin Tippler Specification Sheet

Features

Our Wheelie Bin Rotators are designed to handle large 1100 litre wheelie bins with side trunnions. The attachment provides smooth and safe tipping of the contents and the option to lock the bin in place at any tipping angle. It is highly recommended that a sample bin be provided when ordering this attachment.



Specifications

- Wheelie Bin Capacity/ Style:- 1100 ltr Flat Lid
- Lifting Capacity:- 500kg
- Load Centres:- 1,185 mm
- Weight:- 125kgs
- Centre of Gravity:- 850mm
- Minimum Truck Capacity:- 1.500kgs
- Hoses and connectors not included

